



> View offers



Book a > test drive > AMG test drive



> Find a Retailer



> View the Range Guide

G-Class.

Effective from 1 June 2015.



Mercedes-Benz



> View offers



Book a > test drive > AMG test drive



> Find a Retailer



> View the Range Guide

Contents

Model prices	11	Driving Assistance package	31	Technical data	43
Finance offers	12	Entertainment package	32	Road Fund Licence	48
Model lines	16	Winter package	33	Services and insurance	49
Standard equipment	24	Pricing summary for packages	34	Mercedes-Benz Finance	50
Wheels	28	Optional equipment	35		
Sports Styling package	30	Colours and materials	40		



> View offers



Book a > test drive > AMG test drive



> Find a Retailer



> View the Range Guide

The hard facts to melt your heart

At Mercedes-Benz we appreciate the importance of detail. Over the following pages you'll find model prices and a breakdown of standard and optional equipment, as well as details of the comprehensive services and benefits that are available to every Mercedes-Benz driver.

See Mercedes-Benz in a new light. Now is the time to get yourself behind the wheel of a G-Class. Choose from a number of attractive finance offers. Please see pages 12–15 for further details, or visit www.mercedes-benz.co.uk/offers

Of course, some things have to be experienced to be truly appreciated, such as the qualities that set a Mercedes-Benz apart. Which is why we'd like to invite you for a test drive at your local Mercedes-Benz Retailer. Alternatively, you can make arrangements by visiting www.mercedes-benz.co.uk/testdrive

For more information visit www.mercedes-benz.co.uk or call 0333 222 0500.



> View offers



Book a > test drive > AMG test drive



> Find a Retailer



> View the Range Guide

4



Model features optional equipment at an additional cost.



> View offers



Book a > test drive > AMG test drive



> Find a Retailer



> View the Range Guide



Model features optional equipment at an additional cost.



[View offers](#)



[Book a test drive](#) [AMG test drive](#)



[Find a Retailer](#)



[View the Range Guide](#)

6



Model features optional equipment at an additional cost.



[View offers](#)



[Book a test drive](#) [AMG test drive](#)



[Find a Retailer](#)



[View the Range Guide](#)





> View offers



Book a > test drive > AMG test drive



> Find a Retailer



> View the Range Guide





> View offers



Book a > test drive > AMG test drive



> Find a Retailer



> View the Range Guide





> View offers



Book a > test drive > AMG test drive



> Find a Retailer



> View the Range Guide

10



Model features optional equipment at an additional cost.



Model prices

Engine	Model line	Transmission	CO ₂	Basic RRP excl. VAT (£)	Total RRP incl. VAT (£)	Road Fund Licence (£) ¹	Rec. OTR price (£) ²	P11D value (£)	BiK tax rate 2015/16 (%)
G 350 d 4MATIC Diesel – 2,987 cc, 6-cylinder, 245 hp/180 kW	-	7G-TRONIC PLUS 7-speed automatic	261	71,687.50	86,025.00	1,100.00	87,795.00	86,640.00	37
Mercedes-AMG									
Mercedes-AMG G 63 4MATIC Petrol – 5,461 cc, 8-cylinder, 571 hp/420 kW	-	AMG SPEEDSHIFT PLUS 7-speed auto.	322	108,254.17	129,905.00	1,100.00	131,675.00	130,520.00	37
Mercedes-AMG EDITION 463									
Mercedes-AMG G 63 4MATIC Petrol – 5,461 cc, 8-cylinder, 571 hp/420 kW	-	AMG SPEEDSHIFT PLUS 7-speed auto.	322	123,500.00	148,200.00	1,100.00	149,970.00	148,815.00	37
Mercedes-AMG Colour Edition									
Mercedes-AMG G 63 4MATIC Petrol – 5,461 cc, 8-cylinder, 571 hp/420 kW	Solar Beam	AMG SPEEDSHIFT PLUS 7-speed auto.	322	121,554.17	145,865.00	1,100.00	147,635.00	146,480.00	37
Mercedes-AMG G 63 4MATIC Petrol – 5,461 cc, 8-cylinder, 571 hp/420 kW	Tomato Red Alien Green Sunset Beam	AMG SPEEDSHIFT PLUS 7-speed auto.	322	124,054.17	148,865.00	1,100.00	150,635.00	149,480.00	37
Mercedes-AMG G 63 4MATIC Petrol – 5,461 cc, 8-cylinder, 571 hp/420 kW	Galactic Beam	AMG SPEEDSHIFT PLUS 7-speed auto.	322	124,887.50	149,865.00	1,100.00	151,635.00	150,480.00	37

¹A different first year rate of Vehicle Excise Duty (Road Fund Licence) applies for new cars. Please refer to page 48 for the relevant rate for the second and subsequent years

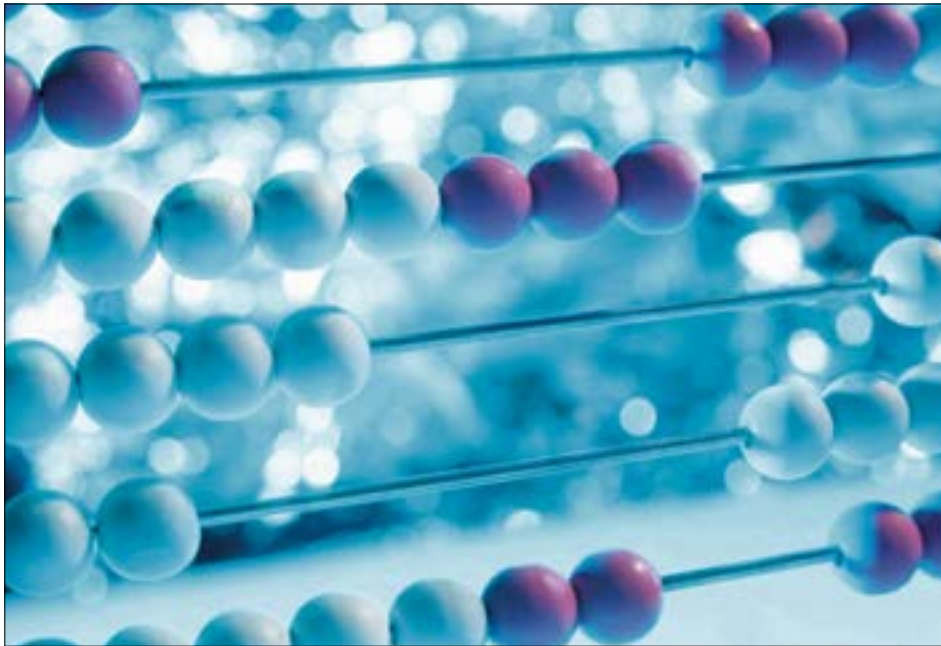
²Recommended on-the-road price: these prices reflect the Road Fund Licence applicable to the standard model plus £670.00 additional costs necessary to put your car on the road.

Included are a standard UK delivery charge (£540.00 incl. VAT), new vehicle registration fee (£55.00), number plates (£25.00 incl. VAT) and fuel (£50.00 incl. VAT). VAT is calculated at the standard rate of 20%



Mercedes-Benz Finance

It comes with a specification list worth exploring



G 350 d 4MATIC with automatic transmission and metallic paint (representative example)

24 monthly payments of ¹	£1,399.00
On-the-road price	£87,795.00
Customer deposit	£13,621.90
Duration of agreement	24 months
Optional purchase payment ²	£48,250.00
Purchase activation fee ²	£10.00
Amount of credit	£74,173.10
Total amount payable ³	£95,457.90
Representative APR	6.4% APR
Fixed interest rate	6.17%



**Example offer –
6.4% APR Representative**

	Automatic	Metalllic	On-the-road price	Customer deposit	24 monthly payments of ¹
G 350 d 4MATIC	●	●	£87,795.00	£13,621.90	£1,399.00

● Standard equipment

Mercedes-Benz Service Care

- Mercedes-Benz trained Technicians
- Maintained by Mercedes-Benz Retailers
- Meets requirements of Mercedes-Benz Agility finance agreement

Mercedes-Benz Motor Insurance

- 24/7 UK accident recovery
- We use Mercedes-Benz GenuineParts
- To qualify for up to 10% discount online, go to www.mercedes-benz.co.uk/motorinsurance
- Alternatively, call Mercedes-Benz Motor Insurance now on **0345 600 2180⁴** for an annual quote

We may decline to quote in some circumstances. Mercedes-Benz Motor Insurance is underwritten by Aviva Insurance Limited

Whilst these offers are only available with Mercedes-Benz Finance, our Mercedes-Benz Retailers do arrange finance on behalf of other finance companies as well

Orders/credit approvals on selected G-Class models between 1 October and 31 December 2015, registered by 31 March 2016; excluding AMG G 63 models.. Some combinations of features/options may not be available.

Please contact your local Mercedes-Benz Retailer for availability

¹Based on a Mercedes-Benz Agility agreement and 10,000 miles per annum. Vehicle condition, excess mileage and other charges may be payable. Quotations available on request for alternative contract lengths and mileages. Guarantees and indemnities may be required. Terms and Conditions apply. Credit provided subject to status by Mercedes-Benz Financial Services UK Ltd, MK15 8BA

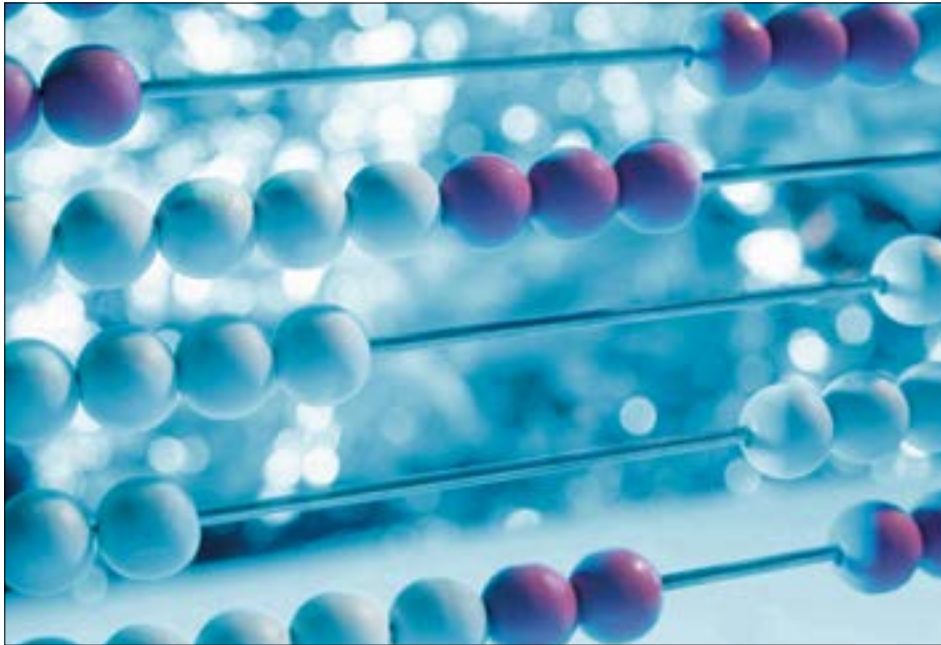
²Payable if you exercise the option to purchase the car. Guaranteed future value if you choose to hand back the vehicle at the end of the contract

³Includes optional purchase payment and purchase activation fee ⁴Calls are charged at local rate and may be recorded



Mercedes-Benz Finance

Even the finance offer is beautifully put together



Mercedes-AMG G 63 4MATIC with automatic transmission and metallic paint (representative example)

36 monthly payments of ¹	£1,899.00
On-the-road price	£131,675.00
Customer deposit	£23,828.37
Duration of agreement	36 months
Optional purchase payment ²	£54,825.00
Purchase activation fee ²	£10.00
Amount of credit	£107,846.63
Total amount payable ³	£147,027.37
Representative APR	6.4% APR
Fixed interest rate	6.17%



**Example offer –
6.4% APR Representative**

	Automatic	Metallic	On-the-road price	Customer deposit	36 monthly payments of ¹
Mercedes-AMG G 63 4MATIC	●	●	£131,675.00	£23,828.37	£1,899.00

● Standard equipment

Mercedes-Benz Service Care

- Mercedes-Benz trained Technicians
- Maintained by Mercedes-Benz Retailers
- Meets requirements of Mercedes-Benz Agility finance agreement

Mercedes-Benz Motor Insurance

- 24/7 UK accident recovery
- We use Mercedes-Benz GenuineParts
- To qualify for up to 10% discount go online, to www.mercedes-benz.co.uk/motorinsurance
- Alternatively, call Mercedes-Benz Motor Insurance now on **0345 600 2180⁴** for an annual quote

We may decline to quote in some circumstances. Mercedes-Benz Motor Insurance is underwritten by Aviva Insurance Limited

Whilst these offers are only available with Mercedes-Benz Finance, our Mercedes-Benz Retailers do arrange finance on behalf of other finance companies as well

Orders/credit approvals on AMG G 63 4MATIC models between 1 October and 31 December 2015, registered by 31 March 2016; excluding non-AMG models. Some combinations of features/options may not be available.

Please contact your local Mercedes-Benz Retailer for availability

¹Based on a Mercedes-Benz Agility agreement and 10,000 miles per annum. Vehicle condition, excess mileage and other charges may be payable. Quotations available on request for alternative contract lengths and mileages. Guarantees and indemnities may be required. Terms and Conditions apply. Credit provided subject to status by Mercedes-Benz Financial Services UK Ltd, MK15 8BA

²Payable if you exercise the option to purchase the car. Guaranteed future value if you choose to hand back the vehicle at the end of the contract

³Includes optional purchase payment and purchase activation fee ⁴Calls are charged at local rate and may be recorded



[View offers](#)



[Book a test drive](#) [AMG test drive](#)



[Find a Retailer](#)



[View the Range Guide](#)

16

G 350 d 4MATIC





Now in its fourth decade, the G-Class boasts the same classic lines that have always made it such a unique presence. Its large glass area features distinctively shaped load compartment windows; the side skirts, shoulder lines, roof lines and side rubbing strips are almost exactly parallel, and the high wheel arches and wide track, together with a rear that's slightly thicker at the base, add up to a sturdy looking body with optimum off-road ability.

Inside, the spacious G-Class cabin is supremely comfortable whatever the distance or weather, thanks to a 2,850 mm wheelbase, heat-insulating glass all round, and heated seats front and rear. The G-Class accommodates equipment with ease too, offering up to 2,250 litres of luggage capacity and easy access via the large side-hinged tailgate. The standard 1/3:2/3 split folding rear seat and load-securing points further enhance its versatility.

Exterior

18" alloy wheels – 5-twin-spoke design, 265/60 tyres

Bi-xenon headlamps and LED daytime running lamps

Door mirrors – electrically adjustable, heated and painted in vehicle colour

Metallic paint

Parking Guidance with PARKTRONIC

Privacy glass

Rain-sensing wipers

Reversing camera

Tow bar

Interior

Ambient lighting

COMAND Online system with Media Interface

DAB digital radio tuner

Harman Kardon® Logic 7® surround sound system with 12 high-performance speakers

Heated seats – front and rear

Instrument cluster with colour display

Leather upholstery in black, alpaca grey or chestnut

Twin bottle holder in rear

Trim and Upholstery

Anthracite poplar wood

Leather – black



Leather – alpaca grey

Leather – chestnut





> View offers



Book a > test drive > AMG test drive



> Find a Retailer



> View the Range Guide

18

Mercedes-AMG G 63 4MATIC





> View offers



Book a > test drive > AMG test drive



> Find a Retailer



> View the Range Guide

With 544 hp (400 kW) from its AMG biturbo V8, 760 Nm of torque and fuel-saving features such as ECO start/stop, the Mercedes-AMG G 63 is a remarkable combination of exhilaration and efficiency. Visually, it's simply unmistakable, thanks to the AMG two-bar grille with chrome trim, AMG wheel arch extensions, 'V8 BITURBO' badges on the front wings and an AMG exhaust system with side-exiting twin chromed tailpipes. Also fitted as standard are the Exterior Styling package and 20" AMG 5-twin-spoke alloy wheels

with titanium grey finish, red-painted brake calipers and 275/50 tyres. The cabin is similarly special, with illuminated AMG stainless steel door sill panels, designo leather upholstery, leather trim for the dashboard and AMG performance multi-function steering wheel, door panels in ruffled leather, ambient interior lighting, chrome trim and a designo black DINAMICA microfibre roof lining. There's also a choice of three designo wood trims and the option of AMG carbon-fibre trim for an even more dynamic look.

Exterior

20" alloy wheels - 5-twin-spoke design, titanium grey high-sheen finish, 275/50 tyres

AMG door sill panels in polished stainless steel

AMG logo in front grille

AMG radiator grille featuring twin chromed louvres with central Mercedes-Benz star

AMG red brake calipers

AMG sports exhaust system with chrome-trimmed twin tailpipes

Chrome package and Exterior Styling package

Electric steel sunroof - tilting/sliding, with one-touch opening

Privacy glass

Interior

AMG instrument cluster with colour display (TFT technology)

COMAND Online system with Media Interface

DAB digital radio tuner

Harman Kardon® Logic 7® surround sound system with 12 high-performance speakers

Metallic paint

Single-tone designo leather in a choice of eight colours

Steering wheel - multi-function AMG performance steering wheel trimmed in black nappa leather

THERMATIC - automatic climate control

Twin bottle holder in rear

Trim and Upholstery

designo black piano lacquer

designo leather - black

Please refer to page 41 for the full range of standard designo trim and leather choices



> View offers



Book a > test drive > AMG test drive



> Find a Retailer



> View the Range Guide

20

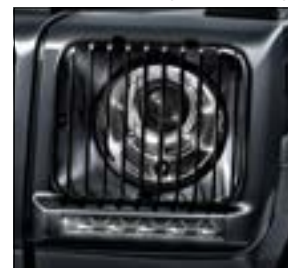
Mercedes-AMG EDITION 463



Protective grilles for headlamps not shown



Two-tone seats in high-quality designo leather



Protective grilles for headlamps



21" black alloy wheels (R12)



> View offers



Book a > test drive > AMG test drive



> Find a Retailer



> View the Range Guide

With the new EDITION 463 special model, Mercedes-AMG is giving the G-Class an impressive sporty look. The exquisite interior specification includes a two-tone instrument panel, two-tone seats in high-quality designo leather with side bolsters in carbon-look leather and contrasting top-stitching, seat and door centre panels in a diamond design, carbon-fibre trim and door handles in nappa leather.

On the outside, a stainless steel guard under the engine, AMG sport stripes along the sides, a protective-strip insert in black aluminium-look as well as exclusive 21" forged wheels underscore both the dynamics and exclusivity of the special model. The EDITION 463 special model is based on the Mercedes-AMG G 63.

Exterior




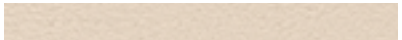
- 21" alloy wheels – 5-twin-spoke design, matt black finish, 275/50 tyres
- AMG sports stripes along sides
- Stainless steel guard under engine
- Protective grilles for headlamps
- Winter package, including auxiliary heater and heated windscreen

Interior

- designo Exclusive package – without embossed crests in the head restraints
- Driving Assistance package, including Blind Spot Assist and DISTRONIC PLUS
- Entertainment package, including rear seat entertainment system and TV tuner

- Metallic paint
- Two-tone seats in high-quality designo leather
- Seat and door centre sections with diamond-pattern design in designo colour

Trim and Upholstery

AMG carbon fibre	designo leather – black
	
designo leather – light brown	designo leather – porcelain
	

EDITION 463 trim and upholstery is available only in the finishes shown above



> View offers



Book a > test drive > AMG test drive



> Find a Retailer



> View the Range Guide

22

Mercedes-AMG G 63 4MATIC Colour Edition



Mercedes-AMG G 63 4MATIC Colour Edition – Solar Beam with obsidian black exterior trim highlights.
Image shows optional wheels (code R11)



Interior contrast stitching matching the exterior paint colour



AMG carbon fibre trim



> View offers



Book a > test drive > AMG test drive



> Find a Retailer



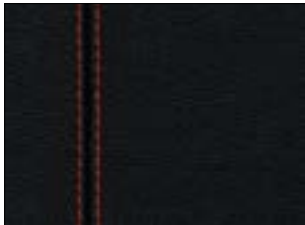
> View the Range Guide

What could be more striking than the Mercedes-AMG G 63? Perhaps a version of the same with an injection of strong, vivid colour? The new Mercedes-AMG G 63 Colour Edition offers five new exterior paints – Tomato Red, Alien Green, Galactic Beam, Solar Beam and Sunset Beam – all with complimentary sports styling details inside and out. Obsidian black accents feature on the trim, mirrors, roof, bumpers, fender flares and spare wheel cover.

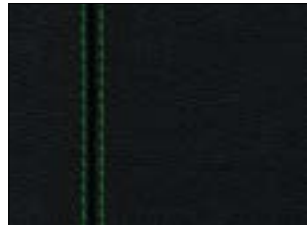
The vibrant contrast continues in the interior with matching body colour contrast stitching on key elements including seats, dashboard, centre console and door panel. All models come as standard with AMG carbon fibre trim and black designo nappa leather upholstery regardless of which exterior colour is chosen. The result is a truly outstanding, highly energising look for a Mercedes-AMG G 63 like no other.



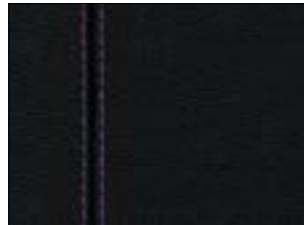
Mercedes-AMG G 63 4MATIC Colour Edition – in a choice of five colours



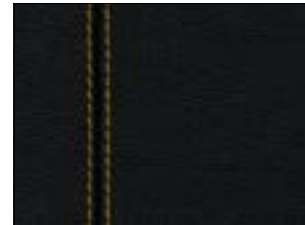
Tomato Red (code 3150)



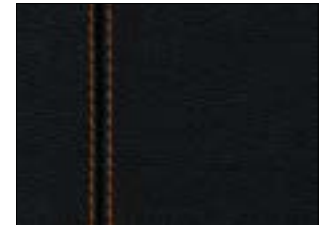
Alien Green (code 6166)



Galactic Beam (code 4171)



Solar Beam (code 1278)



Sunset Beam (code 2173)



> View offers



Book a > test drive > AMG test drive



> Find a Retailer



> View the Range Guide

Standard equipment



Colour display in instrument panel



Sequentially lockable differentials



Parking Guidance with PARKTRONIC



Electrically adjustable front seats



THERMATIC – automatic climate control



Harman Kardon® Logic 7® surround sound system



Ambient interior lighting



Bi-xenon headlamps/LED daytime running lamps



Item	G 350 d	Mercedes-AMG G 63
Transmission and Suspension		
7G-TRONIC PLUS 7-speed transmission with cruise control and variable speed limiter	●	-
AMG SPEEDSHIFT PLUS 7G-TRONIC 7-speed automatic transmission with SPEEDTRONIC cruise control	-	●
ECO start/stop function	-	●
Permanent four-wheel drive with differentials	●	●
Exterior		
Chrome package	-	●
Chrome trim for gearshift lever frame		
Luggage compartment door sill panel in chrome with 'AMG' lettering ('Mercedes-Benz' lettering for G 350 d 4MATIC)		
Radiator grille with chrome highlights		
Switch for seat adjustment and speaker grille surround in front doors		
Exterior Styling package	-	●
Running boards left and right		
Spare wheel cover in stainless steel with three-dimensional Mercedes-Benz star		
AMG bodystyling with exclusive G 63 AMG 4MATIC front aprons with cooling air intakes in black and AMG flared wheel arches in vehicle colour	-	●
AMG brake calipers, painted red	-	●
AMG brake calipers, painted silver - only in conjunction with Galactic Beam (code 4171) and Tomato Red (code 3150)	-	●
AMG door sill panels in brushed stainless steel	-	●
AMG radiator grille with chrome-trimmed twin louvre, chrome-trimmed grid and AMG logo	-	●

Item	G 350 d	Mercedes-AMG G 63
AMG sports exhaust system with two chrome-trimmed twin tailpipes, left and right	-	●
Bumpers - painted in body colour, front and rear	●	●
Differential locks (transfer case, front and rear axle)	●	●
Door mirrors - electrically adjustable and heated Integrated indicators, front area lighting and automatically dimming driver's mirror	●	●
Electric steel sunroof - tilting/sliding, with one-touch opening	○	●
Front fog lamps with integral cornering light function	●	-
Headlamps - bi-xenon, with automatic range adjustment and cleaning system	●	●
LED daytime running lamps	●	●
Low range gear reduction (electronically selectable while driving)	●	●
Obsidian black exterior trim highlights (mirrors, roof, front and rear bumpers, fender flares and spare wheel cover) only in conjunction with the Colour Edition	-	●
Parking Guidance with PARKTRONIC	●	●
Privacy glass - dark glass from B-pillar backwards	●	●
Radiator grille with three-louvre design	●	-
Rain-sensing wipers	●	●
Rear lamps - LED-look	●	●
Reversing camera	●	●
Tow bar	●	●



Item	G 350 d	Mercedes-AMG G 63
Interior		
12V sockets in front passenger footwell, rear and load compartment	●	●
AMG instrument cluster with colour display (TFT technology)	-	●
Ambient lighting	●	●
Automatically dimming rear-view mirror	●	●
Centre armrest between front seats with integrated stowage compartment	●	●
Cup holders - front and rear	●	●
Dashboard - leather-covered	●	●
Electric windows (4)	●	●
Front seats - heated and electrically adjustable Memory function for seats, head restraints, exterior mirrors and steering wheel	●	●
Instrument cluster with colour display (TFT technology)	●	-
Interior contrast stitching matching the exterior paint colour (seats, dashboard, centre console, handbrake, upper door panel edge and grab handle) only in conjunction with the Colour Edition	-	●
Luggage compartment cover	●	●
Luggage protection net	●	●
Rear bench seat - split folding 1/3:2/3	●	●
Rear seats - heated	●	●
Seat belts, 3-point design (4)	●	●
Seat belt pre-tensioners (4)	●	●

Item	G 350 d	Mercedes-AMG G 63
Interior		
Seat Comfort package Ventilated multi-contour front seats	-	●
Service indicator ASSYST	●	●
THERMATIC - automatic climate control	●	●
Twin bottle holder in rear	●	●
Steering		
Multi-function AMG performance steering wheel and AMG gearshift lever trimmed in nappa leather	-	●
Multi-function steering wheel and gearshift lever in nappa leather	●	-
Steering column - electrically adjustable, with automatic adjustment for entry/exit	●	●
Paint, Trim and Upholstery		
Paint - metallic	●	●
Roof lining - designo black DINAMICA microfibre	-	●
Roof lining - grey	●	-
Trim - anthracite poplar wood	●	-
Trim - designo black piano lacquer	○	●
Upholstery - leather	●	-
Upholstery - designo leather	○	●






Item	G 350 d	Mercedes-AMG G 63
Security and Safety		
AMG high-performance braking system	-	●
Airbags – driver and front passenger	●	●
Airbags – front side	●	●
Airbags – windowbags	●	●
Anti-lock braking system (ABS) with Brake Assist (BAS)	●	●
Anti-theft alarm system with tow-away protection and interior motion sensor	●	●
Electronic Brake Force Distribution (EBV)	●	●
Electronic Stability Programme (ESP®) with Acceleration Skid Control (ASR)	●	●
Four-wheel Electronic Traction System (4ETS)	●	●
Headlamp Assist – automatic headlamp activation	●	●
ISOFIX child seat fixing points in rear (two outer seats)	●	●
Tyre pressure monitoring system	●	●

Item	G 350 d	Mercedes-AMG G 63
Communications and In-Car Entertainment		
Bluetooth® interface for hands-free telephony	●	●
Central controller dial to operate audio functions and telephone (when connected)	●	●
COMAND Online system with Media Interface Includes radio, single CD, 7-inch colour display, hard disk drive (HDD) navigation with 3D map display and TMC (Traffic Message Channel), Speed Limit Assist, LINGUATRONIC voice control in centre console and in-car internet access (internet-enabled mobile phone required). Also includes SD memory card slot, 10 GB music register and MP3 compatibility. Media Interface allows connection and control of portable media devices (e.g. MP3 player, USB stowage media). Cables included for aux-in, USB or iPod® connectivity	●	●
DAB digital radio tuner	●	●
Surround sound system – Harman Kardon® Logic 7® with Dolby Digital 5.1 and DTS 12 high-performance speakers and additional amplifier	●	●



A revolution in style

Item	Notes		G 350 d	Mercedes-AMG G 63		Basic RRP excl. VAT (£)	Total RRP incl. VAT (£)
Wheels							
18" alloy wheels (4) – 5-twin-spoke design 265/60 tyres			RM9	●	-	-	-
19" alloy wheels (4) – 5-twin-spoke design, matt black 275/55 tyres	Included with Sports Styling package (code SPT). Please refer to page 30 for more information.		RK5	△	-	Included in Sports Styling package	
20" AMG alloy wheels (4) – 5-twin-spoke design, burnished titanium grey high-shine finish 275/50 tyres			R10	-	●	-	-



> View offers



Book a > test drive > AMG test drive



> Find a Retailer



> View the Range Guide

Item	Notes					Basic RRP excl. VAT (£)	Total RRP incl. VAT (£)
Wheels (continued)							
20" AMG alloy wheels (4) - 5-spoke design, painted matt black, high-sheen finish 275/50 tyres	Silver brake calipers available with Galactic Beam (code 4171) and Tomato Red (code 3150)		R11	-	○	829.17	995.00
21" alloy wheels (4)- 5-twin-spoke design, painted black 295/40 tyres	Available exclusively on Mercedes-AMG G 63 EDITION 463		R12	-	△	-	-
21" bicolour alloy wheels (4)- 5-twin-spoke design, painted black 295/40 tyres	Available exclusively on Mercedes-AMG G 63 EDITION 463		R13	-	△	-	-

G 350 d
Mercedes-AMG G 63



Sports Styling package



Running boards left and right



Radiator grille with chrome inserts



Stainless steel spare wheel cover with 3D star



19" 5-twin-spoke alloy wheels painted in matt black

The Sports Styling package contains eye-catching design features for both the exterior and interior.

Sports Styling package – designed and priced as a package, including items as listed below.

G 350 d 4MATIC

Total incl. VAT £2,995.00

Sports Styling package (code SPT)

19" 5-twin-spoke alloy wheels painted in matt black

Additional chrome trim elements around wooden fascia for seat adjustment, around the front door loudspeaker grilles and gearshift lever frame

Black velour floor mats

Chrome load sill protector with 'Mercedes-Benz' lettering

Radiator grille with chrome inserts

Running boards left and right

Spare wheel cover in stainless steel with three-dimensional Mercedes-Benz star



Driving Assistance package



Blind Spot Assist



DISTRONIC PLUS

Blind Spot Assist utilises short-range radar sensors to monitor the vehicle's blind spot. If the system detects a vehicle in the blind spot, a red triangle lights up in the respective exterior mirror to alert the driver.

DISTRONIC PLUS is a proximity control system which extends the functionality of the conventional cruise control with variable speed limiter by adding automatic control of the distance to the vehicle ahead.

Driving Assistance package – designed and priced as a package, including items as listed below.

G 350 d 4MATIC and Mercedes-AMG G 63 4MATIC Total incl. VAT £2,495.00

Driving Assistance package (code DAP)

Blind Spot Assist

DISTRONIC PLUS



Entertainment package



The rear seat entertainment system offers all rear passengers entertainment of a high technical standard. During the journey, rear passengers can watch DVDs by means of the DVD players integrated in the displays or use external entertainment devices such as game consoles. Each screen works independently from the other or content can be played simultaneously.

The TV tuner¹ makes it possible to receive digital terrestrial channels around the world, plus Teletext access, a choice of up to 30 channels, audio playback through speaker and playback through front COMAND screen up to approx. 4 mph.

Entertainment package – designed and priced as a package, including items as listed below.

G 350 d 4MATIC and

Mercedes-AMG G 63 4MATIC

Total incl. VAT £2,995.00

Entertainment package (code ENT)

Rear seat entertainment system

TV tuner

¹TV tuner plays through front COMAND screen only



> View offers



Book a > test drive > AMG test drive



> Find a Retailer



> View the Range Guide

Winter package



Fuel-fired auxiliary heater



Heated windscreen

A fuel-fired heater that operates independently of the engine can be set to heat or ventilate the interior by remote control or by programming the departure time.

The heated windscreen function enables the windscreen to be easily defrosted, or the windscreen and side windows to be demisted, at the touch of a button.

Winter package – designed and priced as a package, including items as listed below.

G 350 d 4MATIC and Mercedes-AMG G 63 4MATIC **Total incl. VAT £1,750.00**

Winter package (code WNT)

Auxiliary heater

Heated windscreen

[View offers](#)[Book a test drive](#) [AMG test drive](#)[Find a Retailer](#)[View the Range Guide](#)

34

Pricing summary for packages

Model	Transmission	Recommended OTR price (£) ¹				
			Sports Styling package	Driving Assistance package	Entertainment package	Winter package
G 350 d 4MATIC	7G-TRONIC PLUS 7-speed automatic	87,795.00	90,790.00	90,290.00	90,790.00	89,545.00
Mercedes-AMG G 63 4MATIC	AMG SPEEDSHIFT PLUS 7-speed automatic	131,675.00	-	134,170.00	134,670.00	133,425.00

¹Recommended on-the-road price: these prices reflect the Road Fund Licence applicable to the standard model plus £670.00 additional costs necessary to put your car on the road.

Included are a standard UK delivery charge (£540.00 incl. VAT), new vehicle registration fee (£55.00), number plates (£25.00 incl. VAT) and fuel (£50.00 incl. VAT). VAT is calculated at the standard rate of 20%



Optional equipment

Item	Notes	Mercedes-AMG G 63			Basic RRP excl. VAT (£)	Total RRP incl. VAT (£)
AMG Performance Studio						
AMG Driver's package Attendance at an AMG 'Power & Passion' driving event Increase in the electronically limited top speed to 144 mph		Z09	-	○	2,079.17	2,495.00
Exterior						
AMG brake calipers, painted silver		BS1	-	○		no-cost option
Comfort						
Exclusive package Comprising Seat Comfort package, designo black DINAMICA microfibre roof lining and illuminated door sills		PA4	○	●	2,079.17	2,495.00
Electric steel sunroof - tilting/sliding, with one-touch opening		DZ7	○	●	1,383.33	1,660.00
Paint, Trim and Upholstery						
designo Exclusive package designo two-tone leather in a choice of colours, AMG front sports seats, seat and door centre panels in designo leather with diamond design, upper and lower part of dashboard in designo black nappa leather	designo black ZF7 is optional on the Colour Edition	PA6	-	○	3,133.33	3,760.00
Available in:						
designo porcelain ZF3	designo light brown ZH2					
designo classic red ZF5	designo sand ZK6					
designo black ZF7	designo titan pearl ZN9					



Item	Notes	G 350d		Mercedes-AMG G 63	Basic RRP excl. VAT (£)	Total RRP incl. VAT (£)
Paint, Trim and Upholstery (continued)						
Paint – designo metallic paint finishes Available in: designo mocha black 033 designo graphite 041 designo platinum black 046		'	○	○	1,220.83	1,465.00
Paint – designo mystic paint finishes Available in: designo mystic blue 032 designo mystic red 037 designo mystic brown 052		'	○	○	1,975.00	2,370.00
Paint – designo magno paint finishes Available in: designo magno platinum 051 designo magno night black 056	Magno matt paint finishes require extra care. Please ask your Retailer for further details	'	○	○	3,570.83	4,285.00
Trim – AMG carbon fibre Standard on Mercedes-AMG G 63 Colour Edition and EDITION 463	With wood- and leather-trimmed steering wheel in designo black piano lacquer/black nappa leather	ZG6+ZT1	○	–	4,525.00	5,430.00
			–	○	3,045.83	3,655.00
	With heated nappa leather-trimmed steering wheel	ZG6+VL0	○	–	3,841.67	4,610.00
			–	○	3,045.83	3,655.00
	With AMG performance steering wheel		ZG6	–	○	3,045.83
Trim – anthracite poplar wood	With heated nappa leather-trimmed steering wheel	VL0	○	–	229.17	275.00



Item	Notes	G 350d Mercedes-AMG G 63		Basic RRP excl. VAT (£)	Total RRP incl. VAT (£)	
Paint, Trim and Upholstery (continued)						
Trim – designo black piano lacquer	With designo wood and leather-trimmed steering wheel in black piano lacquer/black nappa leather	ZG2+ZT1	○ –	2,091.67	2,510.00	
			– ○	no-cost option		
	With heated nappa leather-trimmed steering wheel	ZG2+VL0	○ –	1,391.67	1,670.00	
			– ○	no-cost option		
	With AMG performance steering wheel	ZG6	– ●	–	–	
	Trim – brown burr walnut wood, high-gloss	Includes wood- and leather-trimmed steering wheel in high-gloss brown burr walnut wood/black nappa leather	V56+VK1	○ –	870.83	1,045.00
			– ○	no-cost option		
With nappa leather-trimmed steering wheel		ZG8	○ –	1,395.83	1,675.00	
Trim – designo champagne white piano lacquer	With nappa leather-trimmed steering wheel		– ○	no-cost option		
		ZG8+VL0	○ –	1,625.00	1,950.00	
	With heated nappa leather-trimmed steering wheel		– ○	no-cost option		
		ZG8	– ○	no-cost option		
	Trim – designo light brown poplar wood Includes steering wheel in black nappa leather	With nappa leather-trimmed steering wheel	ZT0	○ –	1,395.83	1,675.00
				– ○	no-cost option	
With heated nappa leather-trimmed steering wheel		ZT0+VL0	○ –	1,625.00	1,950.00	
		– ○	no-cost option			
With AMG performance steering wheel	ZT0	– ○	no-cost option			



Item	Notes	G 350 d	Mercedes-AMG G 63	Basic RRP excl. VAT (£)	Total RRP incl. VAT (£)
Paint, Trim and Upholstery (continued)					
Upholstery – leather		○	-	no-cost option	
Available in: black SP3 alpaca grey SP4 chestnut SP5		○	-	1,333.33	1,600.00
Upholstery – designo leather		-	●	no-cost option	
Available in: designo porcelain ZF3 designo marron ZF4 designo classic red ZF5 designo black ZF7 designo light brown ZH2 designo sand ZK6 designo mystic red ZK8 designo titan pearl ZN9					



> View offers



Book a > test drive > AMG test drive



> Find a Retailer



> View the Range Guide

Optional equipment

39

Item	Notes			Basic RRP excl. VAT (£)	Total RRP incl. VAT (£)
Service Package					
Service Care Service Care allows you to spread the cost of servicing your new car in the Mercedes-Benz Retailer network. Taking out a Service Care plan ensures your servicing needs are taken care of by fully trained Mercedes-Benz Technicians with the added benefit of a Mercedes-Benz service history	Price is based on a monthly rate. Example given is for two services taken over 24 months, three services over 36 months or four services over 48 months. Further payment options are available. New Service Care prices apply only to vehicles up to 12 months old prior to first service	'	○ - - ○	42.50 45.83	51.00 55.00

G 350d
Mercedes-AMG G 63



Colours and materials

Metallic paints

Standard



183 magnetite black



775 iridium silver



197 obsidian black



792 palladium silver



300 periclase green



796 citrine brown



359 tanzanite blue



963 indium grey



541 thulite red



988 diamond silver



755 tenorite grey

Non-metallic paints

No-cost option



040 black



149 polar white

Special metallic paints

Additional-cost option



032 designo mystic blue



052 designo mystic brown



033 designo mocha black



056 designo magno night black



037 designo mystic red



041 designo graphite



046 designo platinum black



051 designo magno platinum

Colour Edition metallic paints



150 tomato red



166 alien green



171 galactic beam



173 sunset beam



278 solar beam



Trim



Z11 anthracite poplar wood¹



V56 brown burr walnut wood (high-gloss)^{3,4}



ZG6 AMG carbon fibre⁵



ZG2 designo black piano lacquer^{2,3}



ZG8 designo champagne white piano lacquer^{3,4}



ZT0 designo light brown poplar (satin finish)^{3,4}

Upholstery – leather

Standard on G 350 d 4MATIC



SP3 black



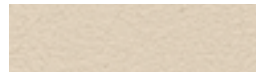
SP4 alpaca grey



SP5 chestnut

designo leather

Standard on Mercedes-AMG G 63 4MATIC



ZF3 designo porcelain



ZH2 designo light brown



ZF4 designo marron



ZK6 designo sand



ZF5 designo classic red



ZK8 designo mystic red



ZF7 designo black



ZN9 designo titan pearl

designo two-tone leather

Standard on EDITION 463



ZF3 designo porcelain



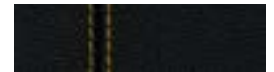
ZF7 designo black



ZH2 designo light brown

designo leather

Standard on Colour Edition



1278 solar beam



2173 sunset beam



3150 tomato red



4171 galactic beam






6166 alien green

¹Standard on G 350 d 4MATIC ²Standard on Mercedes-AMG G 63 4MATIC ³Optional for G350 d 4MATIC ⁴No-cost option for Mercedes-AMG G 63 4MATIC ⁵Optional; standard on Mercedes-AMG G 63 EDITION 463 and Colour Edition



Combination options

Leather		Metallic paints										Non-metallic paints		
		183 magnetite black	197 obsidian black	300 periclase green	359 tanzanite blue	541 thulite red	755 tenorite grey	775 iridium silver	792 palladium silver	796 citrine brown	963 indium grey	988 diamond silver	040 black	149 polar white
	black	●	●	●	●	●	●	●	●	●	●	●	●	
	alpaca grey	●	●	●	●	●	●	○	○	●	○	●	●	
	chestnut	●	●	○	●	○	●	●	●	○	○	●	●	



Technical data

	Diesel engine	Petrol engine
Model	G350 d 4MATIC	Mercedes-AMG G 63 4MATIC

Engine

Total displacement	cc	2,987	5,461
Arrangement/cylinders/valves		V/6/24	V/8/32
Power ¹	hp (kW) at rpm	245 (180)/3,600	571 (420)/5,500
Torque ¹	Nm at rpm	600/1,600-2,400	760/1,750-5,250

Transmission

7G-TRONIC PLUS 7-speed automatic	●	-
AMG SPEEDSHIFT PLUS 7G-TRONIC 7-speed auto.	-	●

Performance

Acceleration 0-62 mph	sec	8.9	5.4
Top speed	mph	119	130



	Diesel engine	Petrol engine
Model	G 350 d 4MATIC	Mercedes-AMG G 63 4MATIC

Weights and capacities

Kerb weight	kg	2,612	2,550
Perm. Gross Vehicle Weight	kg	3,200	3,200
Towing capacity - unbraked		3,500	3,500
braked	kg	750	750
Boot capacity	l		
Seats down		2,126	2,250
Seats up		699	480
Fuel tank capacity/of which reserve	l	96/14	96/14
Turning circle kerb to kerb	m	13.6	13.6
Wading depth	mm	600	600

Fuel consumption^{2,3}

mpg

Urban	25.5	16.4
Extra-urban ⁴	31.0	23.9
Combined	28.5	20.5



	Diesel engine	Petrol engine
Model	G 350 d 4MATIC	Mercedes-AMG G 63 4MATIC
CO₂ emissions³	g/km	
Emissions standard	EU6	EU6
Standard wheels	261	322

Insurance

Insurance ratings may vary depending on model specification. Please refer to <http://www.thatcham.org/abigrouprating/> for further details

¹Figures according to Directive 80/1269/EEC in the currently applicable version

²All figures are based on a standard specification with the smallest tyre size

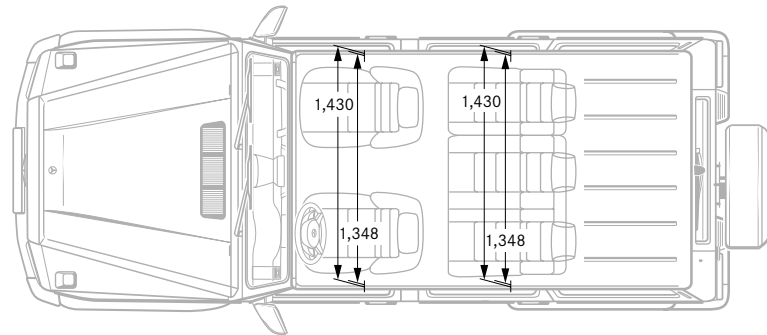
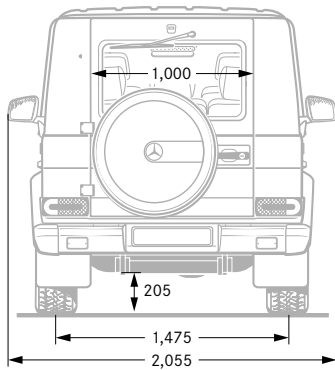
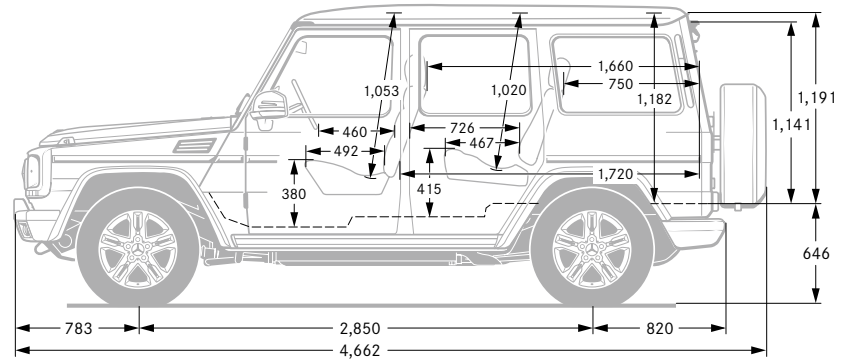
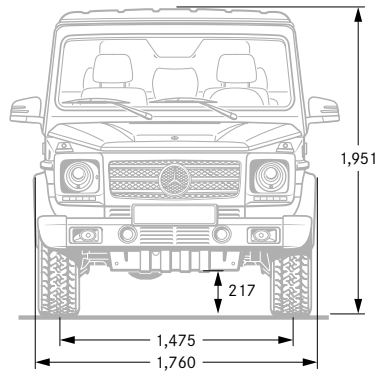
³The choice of wheels and transmission may affect CO₂ emissions and corresponding Road Fund Licence

⁴EUDC: extra-urban driving cycle. Testing procedures adhere to EU Directive 93/116

The figures on pages 43–47 are correct at time of going to print. Please refer to the government website for latest data – <http://www.dft.gov.uk/vca>



Technical data





> View offers



Book a > test drive > AMG test drive

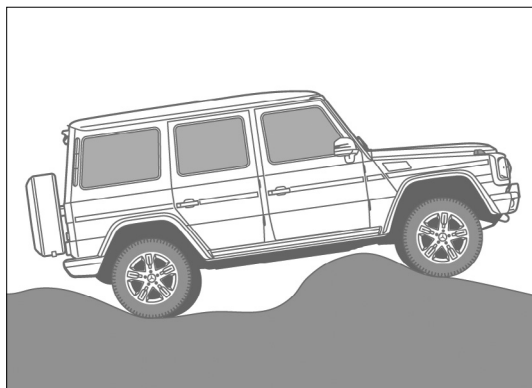


> Find a Retailer

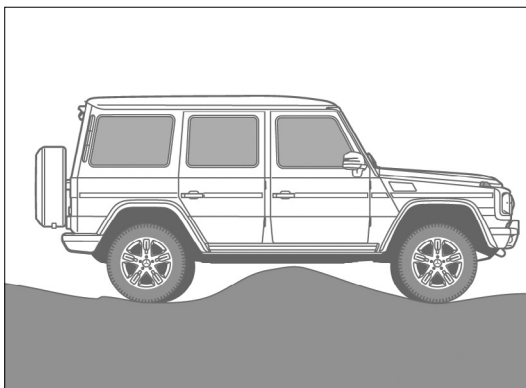


> View the Range Guide

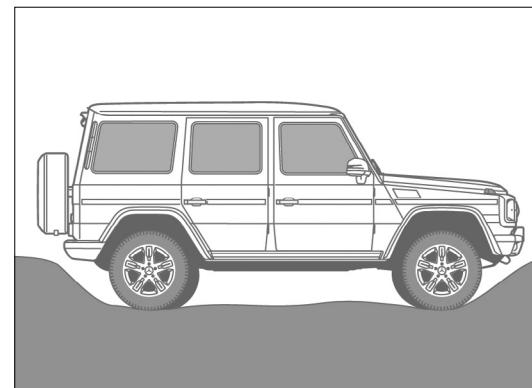
Off-road capability



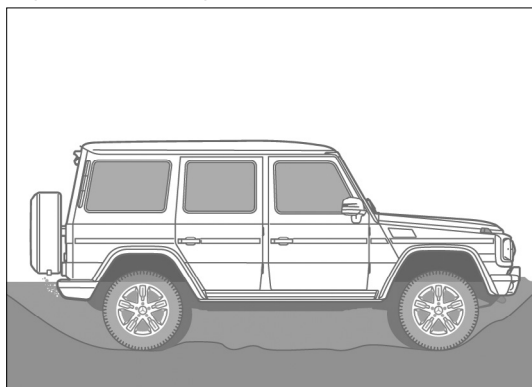
Large ramp breakover angle of 24°



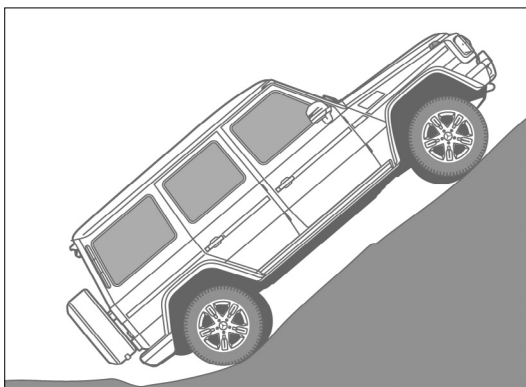
Ground clearance of 21 cm (22 cm on Mercedes-AMG G 63)



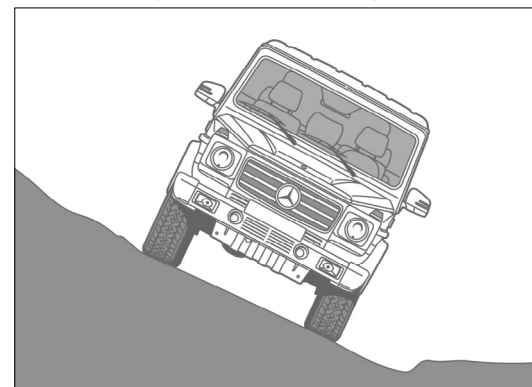
Max. approach angle 36°¹, max. departure angle 27°



Maximum fording depth of 60 cm



Climbs gradients of up to 80% (surface permitting)



Directionally stable on slopes of up to 54%

¹27° for Mercedes-AMG G 63



Road Fund Licence



All road vehicle registrations are subject to Vehicle Excise Duty (Road Fund Licence), which varies in accordance with the vehicle's CO₂ emissions. A first year rate of Vehicle Excise Duty applies to new cars on their first year of registration. For the second and subsequent years a standard rate for each taxation band will apply.¹ The table below shows the bands (A-M) created by the DVLA and the corresponding Road Fund Licence. CO₂ emissions are listed in the technical data on page 45 and the relevant Excise Duty is reflected in the on-the-road prices on page 11.

Band	CO ₂ emissions	First year rate (£)	Standard rate (£)
A	up to 100 g/km	0.00	0.00
B	101 to 110 g/km	0.00	20.00
C	111 to 120 g/km	0.00	30.00
D	121 to 130 g/km	0.00	110.00
E	131 to 140 g/km	130.00	130.00
F	141 to 150 g/km	145.00	145.00
G	151 to 165 g/km	180.00	180.00
H	166 to 175 g/km	295.00	205.00
I	176 to 185 g/km	350.00	225.00
J	186 to 200 g/km	490.00	265.00
K	201 to 225 g/km	640.00	290.00
L	226 to 255 g/km	870.00	490.00
M	over 255 g/km	1,100.00	505.00

¹For further information on vehicle taxation please refer to <https://www.gov.uk/calculate-vehicle-tax-rates>



Services and insurance

Mercedes-Benz Service

To get the best out of your car and to keep it running as our Mercedes-Benz engineers intended, we recommend that you have your G-Class maintained and serviced at regular intervals at any one of our Mercedes-Benz Official Workshops.

Some of the benefits of visiting a Mercedes-Benz Official Workshop include:

- A dedicated Service Team Manager
- Access to Mercedes-Benz trained Technicians
- The use of Mercedes-Benz Genuine Parts
- Free service measure updates
- Fixed pricing – you will always know the cost before any work is undertaken
- Total convenience – whether you need your vehicle picking up from home or want to wait in our lounge
- An up-to-date Mercedes-Benz service record

To receive a personalised Service Care plan recommendation visit the Service Care Calculator at www.mercedes-benz.co.uk/servicecare

Warranty and breakdown cover

Every Mercedes-Benz comes with a three-year unlimited mileage warranty against manufacturing or material defects¹ and up to 30 years warranty against perforation due to corrosion from the inside out.² What's more, it's also covered by Mercedes-Benz Roadside Assistance – a unique package comprising up to 30 years pan-European breakdown assistance.²

Insurance

Since our name is synonymous with reliability, who better to trust with your motor insurance? Mercedes-Benz Insurance provides a motor insurance policy specifically designed to give you the cover you would expect from Mercedes-Benz. For a motor insurance quotation, call **0345 600 2180**.*



Mercedes-Benz Finance

Why should you finance with Mercedes-Benz?

At Mercedes-Benz we believe a great driving experience should be matched by an equally great ownership experience. That is why we put just as much thought, time and effort into designing our finance options, our service plans and our insurance cover as we do into our vehicles.

We are not in the business of simply providing a loan to fund the purchase of your dream vehicle. We look on it as a journey that we take with you, from the moment you choose your new Mercedes-Benz, to helping you in choosing your next one.

If you would like to find out more about any of our current offers, simply call into your local Mercedes-Benz Retailer where one of our Business Managers will be more than happy to talk you through anything you need to know.

Helping you find the right solution.

You should find our finance packages are more convenient than a traditional personal loan because:

- Funds are immediately available – no waiting for cheques or loans to clear.
- There is no security required – either against your home or other assets.
- We have clear and transparent rates – the APR we quote is the APR you get.
- We have friendly Business Managers – experts in vehicle finance who can talk you through all of your plans in detail.

One of our most popular finance products is Mercedes-Benz Agility (our Personal Contract Purchase product). We also offer Contract Hire, Operating Lease and Hire Purchase solutions. If you would like to find out more about these speak to your Retailer or visit www.mercedes-benz.co.uk/fandi.

Mercedes-Benz Agility (our PCP product).

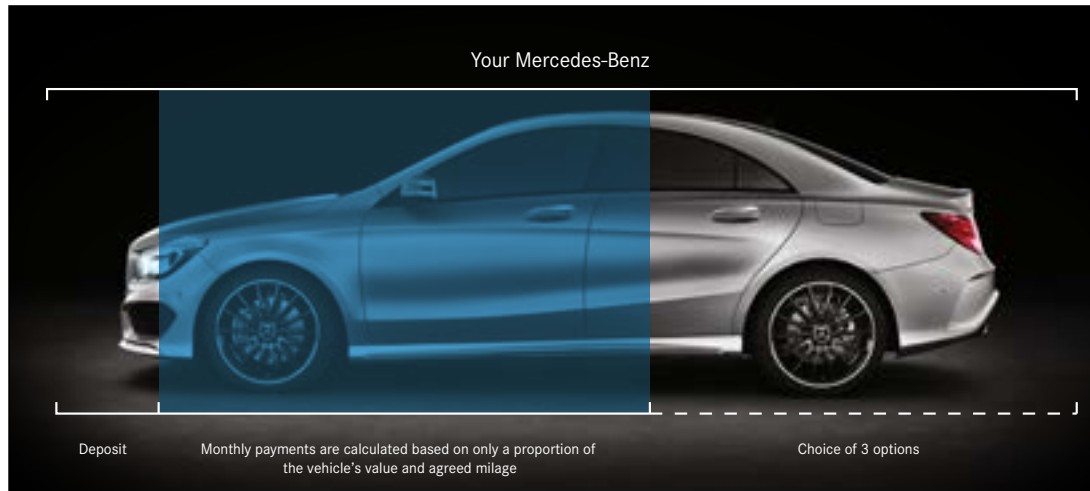
At the start of an Agility agreement, you put down a deposit and decide the term of your agreement and your annual mileage. You will be advised of the Guaranteed Future Value, which offers you the reassurance of knowing exactly what you will need to pay to own the vehicle outright in the future (this is known as the Optional Purchase Payment).

Throughout your agreement you simply pay your agreed monthly payments and when the agreement comes to an end you either purchase, hand back or part-exchange your vehicle.



Agility features:

- Fixed regular payments mean you can easily budget.
- Payments are based only on a proportion of the vehicle's value, keeping your monthly payments lower.
- Our Guaranteed Future Value avoids the risk of unplanned depreciation of your vehicle.
- You defer your ownership decision until the end of the agreement.



At the end of your agreement you have three options to choose from.

Option 1: Purchase your Mercedes-Benz.

Purchase your Mercedes-Benz by paying the Optional Purchase Payment and Purchase Activation Fee.¹ This will complete the purchase of your Mercedes-Benz, leaving you free to simply enjoy your vehicle.

Option 2: Hand back your Mercedes-Benz.

If you decide to return your vehicle to us, it must be in line with our Vehicle Return Standards,^{*} as vehicle condition, excess mileage and other charges may be payable.

Option 3: Part-Exchange for a new vehicle.

Purchase your Mercedes-Benz by paying the Optional Purchase Payment and Purchase Activation Fee.¹ This will complete the purchase of your Mercedes-Benz, leaving you free to part-exchange for a new vehicle.

¹Please note the 'Purchase Activation Fee' of £10 will be debited from your account *To find out more information about our Vehicle Return Standards please visit <http://mercedes-benz.co.uk/vrs>



> View offers



Book a > test drive > AMG test drive



> Find a Retailer



> View the Range Guide

Follow us on the following social media channels:



<https://www.facebook.com/MercedesBenzUk>



<https://twitter.com/mercedesbenzUK>



<https://www.youtube.com/mercedesbenzUK>



<https://instagram.com/mercedesbenzUK>

Effective from 1 June 2015. Information correct at time of going to print.

Prices and specifications are subject to change without prior notice.

MBW463PL/0615

Mercedes-Benz UK Ltd, Tongwell, Milton Keynes, MK15 8BA www.mercedes-benz.co.uk



Mixed Sources

Product group from well-managed forests, controlled sources and recycled wood or fibre
www.fsc.org Cert no. SGS-COC-004556
©1996 Forest Stewardship Council

